

pressure transmitter

ST 18

- ✓ - EMC emission and immunity: as per EN 61326.
- ✓ - Wiring: shieldless cable.
- ✓ - Case: with ventilation device.
- ✓ - Compensated temperature range: 14...+176 °F (-10...+80 °C).
- ✓ - Calibration: adjustable.



CE Compliance to requirements of directives:
EMC 89/336/CEE - PED 97/23/CE - RoHS 02/95/CE - RAEE 02/96/CE - 03/108/CE

8.S18 - Standard Model

Ranges: 0...15/0...10000 *psi, relative* (0...1/0...600 *bar, relative*);
-30" ...0/-30" ...350 *psi, relative* (-1...0/-1...+24 *bar, relative*);
0...15/0...200 *psi, absolute* (0...1/0...16 *bar, absolute*).

Accuracy (% span): ≤ 0,25 typical; ≤ 0,5 max.

Calibration: limit-point as per DIN 16086.

Repeatability: ≤ 0,15 % of span.

Thermal drift: ≤ 0,011 % span / °F (≤ 0,02 % span / °C).

Process fluid temperature: -13...+212 °F (-25...+100 °C);
depending on gasket type.

Ambient temperature: -13...+185 °F (-25...+85 °C).

Storage temperature: -13...+185 °F (-25...+85 °C).

Output signals: 4...20 mA, 0...5 Vdc, 0...10 Vdc.

Supply and max load: see on page 2.

Response time (10...90%): < 3 ms.

Zero calibration: ± 10 % span typical.

Span calibration: ± 10 % span typical.

Compensated temperature range: +32...+176 °F (0...+80 °C).

Process connection: AISI 316L st.st .

Sensor: ceramic.

Case: stainless steel, vented for pressure ranges ≤ 230 *psi*
(≤ 16 *bar*).

Electric connection: *EN 175301-803, exit for cables ø 0.23...0.35"
(6...9 mm).

Protection: IP 65 as per IEC 529 / EN 60529.

Weight: 0.39 *Ibs* (0,18 *kg*)

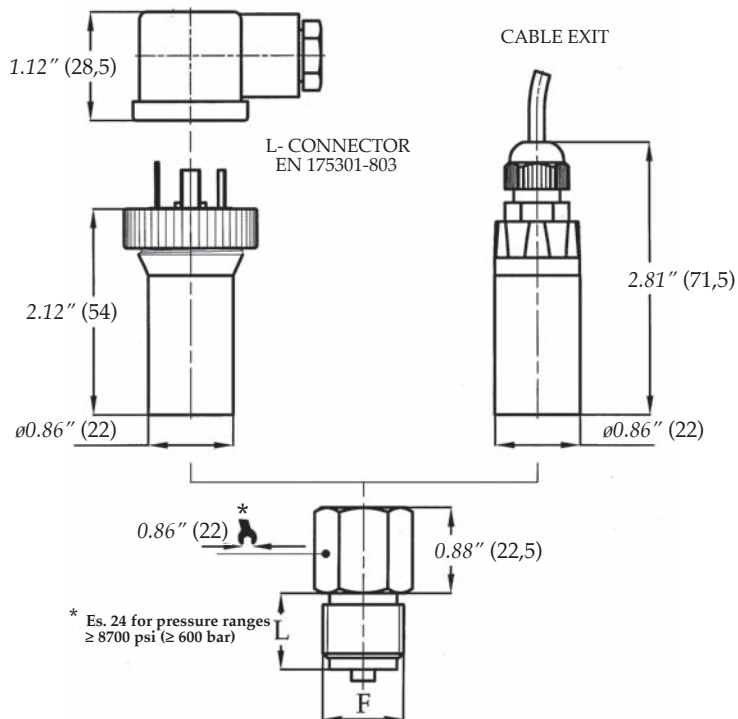
(*)Ex DIN 43650

Ranges <i>psi, relative</i> (1)	Overpressure <i>psi, relative</i>	Burst pressure <i>psi, relative</i>
0...15/0...30		100
0...60	145	175
0...100/0...160	290	360
0...300	580	725
0...600	1450	1740
0...1000/0...1500	2900	3625
0...2000/0...3000	7250	8700
0...5000/0...6000	8700	11600
0...10000	11600	13050

(1) Other unit of measurement, intermediate ranges, vacuum and compound ranges are available, as requested by customer.

Ranges <i>bar, relative</i> (1)	Overpressure <i>bar, relative</i>	Burst pressure <i>bar, relative</i>
0...1/0...2,5	10	7
0...4	20	12
0...6/0...10	40	25
0...16		50
0...25/0...40	100	120
0...60/0...100	200	250
0...160/0...250	500	600
0...400	600	800
0...600	800	900

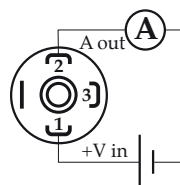
(1) Other unit of measurement, intermediate ranges, vacuum and compound ranges are available, as requested by customer.



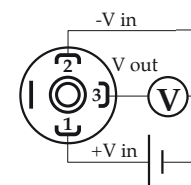
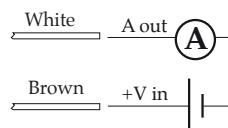
F	L
41M - G 1/2 A	0.78"
43M - 1/2-14 NPT	(20)
21M - G 1/4 A	0.51"
23M - 1/4-18 NPT	(13)

dimensions : inches (mm)

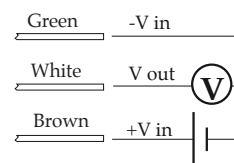
Output signal	4...20 mA 1	0...5 Vdc 4	0...10 Vdc 5
N. of wires	2	3	3
Load (Ohm)	$R_L \leq (V_{in}-8)/0,02$	$R_L \geq 5 K\Omega$	$R_L \geq 10 K\Omega$
Supply: +Vin	8...30	8...30	14...30
Ground	(pls. refer to Installation Manual)		



4...20 mA



0...5 Vdc
0...10 Vdc



OPTIONS

FPM - VITON gasket, process fluid temperature 5...+212 °F; (-15...+100°C)
CRP - CR gasket, for pressure ranges ≤ 1500 psi (100 bar); process fluid temperature: -40...+176 °F (-40...+85°C)
EPD - EPDM gasket, for pressure ranges ≤ 1500 psi (100 bar); process fluid temperature: -40...+212 °F (-40...+100°C)
NBR - NBR gasket; process fluid temperature: -13...+176 °F (-25...+85°C)
C01 - Calibration certificate
K02 - Accuracy ≤ 0,25 % of span, (Limit-point calibration.) (2)
PVC - Cable exit, with PVC cable (1)

- (1) Zero calibration not available
- (2) For pressure ranges ≤ 600 psi (40 bar)

“HOW TO ORDER” SEQUENCE

Section / Model / Range / Process connection / Output signal / Gasket / Options
8 S18 41M 1 FPM C01...PVC
43M 4 CRP
21M 5 EPD
23M NBR