

✓ - EMC immunity: as per EN 61326.



CE Compliance to requirements of directives:
EMC 89/336/EEC - PED 97/23/EC.



8.SLV - Standard Model

Ranges: 0...40 INWC / 0...400 psi, relative
(0...0.1/0...25 bar, relative).

Accuracy (% span): ≤ 0.25 typical; ≤ 0.5 max.

Calibration: limit-point as per DIN 16086.

Repeatability: ≤ 0,15 % of span.

Thermal drift:

≤ 0.044 % span / °F (≤ 0,08 % span / °C) for pressure ranges < 100 INWC (0,25 bar);

≤ 0.028 % span / °F (≤ 0,05 % span / °C) for pressure ranges 100 INWC...≤ 15 PSI (0.25...<1 bar);

≤ 0.011 % span / °F (≤ 0,02 % span / °C) for pressure ranges > 15 PSI (≥ 1 bar).

Annual drift: ≤ 0,2 % of span.

Working temperature: +14...+140 °F (-10...+60 °C)

Storage temperature: +14...+140 °F (-10...+60 °C)

Output signals: 4...20 mA, 0...5 Vdc, 0...10 Vdc.

Supply and max load: see on page 2.

Compensated temperature range: +14...+140 °F (-10...+60 °C).

Case: stainless steel.

Sensor: piezoresistive cell for pressure ranges < 15 psi (1 bar); ceramic cell for pressure ranges ≥ 15 psi (1 bar).

Filling fluid for piezoresistive sensor: silicon oil.

Gasket: VITON (cod. **FPM**).

Electric connection: poliurethane cable, compensated (cod. **I**).

Protection: submersible.

Weight:

for pressure ranges < 15 PSI (1 bar) = 0.57 lbs (0,26 kg);

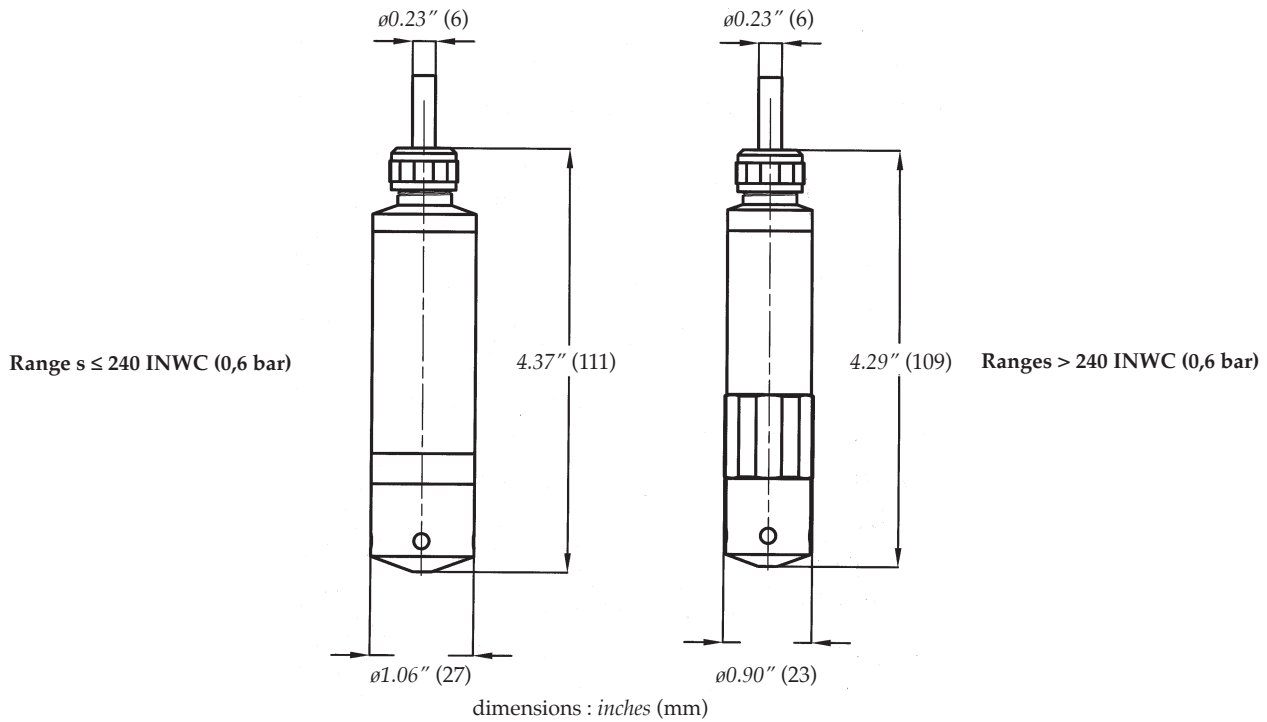
for pressure ranges ≥ 15 PSI (1 bar) = 0.44 lbs (0,20 kg).

Ranges relative (1)
0...40/0...≤ 240 INWC
0...10 psi
0...15/0...30 psi
0...60 psi
0...100/0...160 psi
0...200 psi
0...300 psi

(1) Other unit of measurement, intermediate ranges, vacuum and compound ranges are available, as requested by customer.

Ranges bar, relative (1)
0...0,1/0...≤ 0,6
0...> 0,6/0...< 1
0...1/0...2,5
0...4
0...6/0...10
0...16
0...25

(1) Other unit of measurement, intermediate ranges, vacuum and compound ranges are available, as requested by customer.

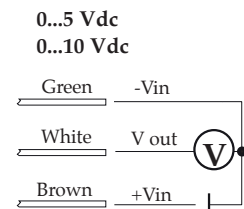
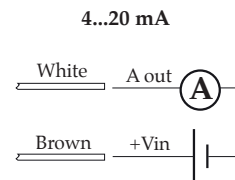


RANGES ≤ 240 INWC (0,6 bar)

Output signal	4...20 mA 1	0...5 Vdc 4	0...10 Vdc 5
N. wires	2	3	3
Load (Ohm)	$R_L \leq (V_{in}-8)/0,02$	$R_L \geq 5 K\Omega$	$R_L \geq 10 K\Omega$
Supply: +Vin	8...30	8...30	14...30
Massa	(pls. refer to Installation Manual)		

RANGES > 240 INWC (0,6 bar)

Output signal	4...20 mA 1	0...5 Vdc 4	0...10 Vdc 5
N. wires	2	3	3
Load (Ohm)	$R_L \leq (V_{in}-10)/0,02$	$R_L \geq 5 K\Omega$	$R_L \geq 10 K\Omega$
Supply: +Vin	10...30	8...30	14...30
Massa	(pls. refer to Installation Manual)		



"HOW TO ORDER" SEQUENCE

Section / Model / Range / Output signal / Cable type / Cable length / Gasket
 8 SLV 1 I FPM